

evo WHITE

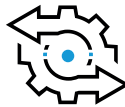
Versatile and Compact for Greater Flexibility

With its compact design and the high quality of its components, Evo White is the perfect solution for those who need a reliable and versatile machine to quickly serve clients with customised products.



ENHANCED INTERFACE

The new EnergyTune feature automatically adjusts power and pulse duration based on the spot diameter and the selected metal.



FAST AND VERSATILE

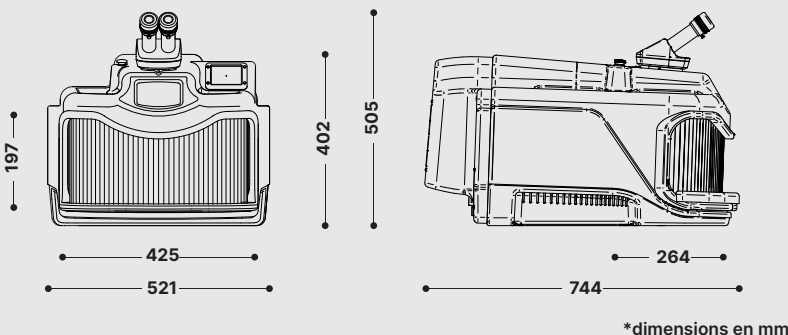
It allows all types of machining to be carried out quickly, making it easy to customise products.



RELIABILITY MADE IN ITALY

The Orotig R&D team has worked to deliver a reliable and safe product, with the primary goal of minimizing the need for maintenance and support.

Perfect for Small Spaces



[ORDER NOW](#)

FEATURES

MADE IN ITALY

Leica microscope

Leica 45° stereo microscope with 10x optical zoom and right-eye crosshair.

Large welding chamber

Large welding chamber with a usable volume of 25.5 l, ensuring operator comfort and efficiency. Features an adjustable LED lighting system for enhanced visibility.



Intuitive interface

With EnergyTune, the operator only has to select the metal, while the system automatically sets the working parameters and shows real-time recommendations for the best use, making it easy to use even for unexperienced operators.

Maximum safety

Compliant with the highest safety standards also thanks to the mechanic and electronic safety shutters. Use of advanced fire-resistant materials, V-0 rated for superior fire safety.

TECHNICAL DATA

Evo White

CRYSTAL TYPE	Nd:YAG @ 1064
PULSE POWER	160 J
PULSE DURATION	25 ms
PEAK PULSE POWER	7 kW
AVERAGE POWER	75 W
PULSE FREQUENCY	0 - 15 Hz
ELECTRICAL	115 - 230 VAC ± 10%, 1P + N + PE, 50/60 Hz, 1.8 kW
FOCAL DIAMETER	0.15 to 1.5 mm
COMMAND ACCESS	External with 3.5" capacitive touch screen display, internal with rotary switch
COOLING SYSTEM	Liquid cooled (4 l) with forced ventilation
WEIGHT	32 kg

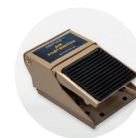
ACCESSORIES



DYNASCOPE HEAD



ADJUSTABLE MICROSCOPE STAND (5° - 25°)



PNEUMATIC FOOTSWITCH



INTERNAL WRIST REST



ADJUSTABLE HEIGHT TABLE



CAMERA AND MONITOR